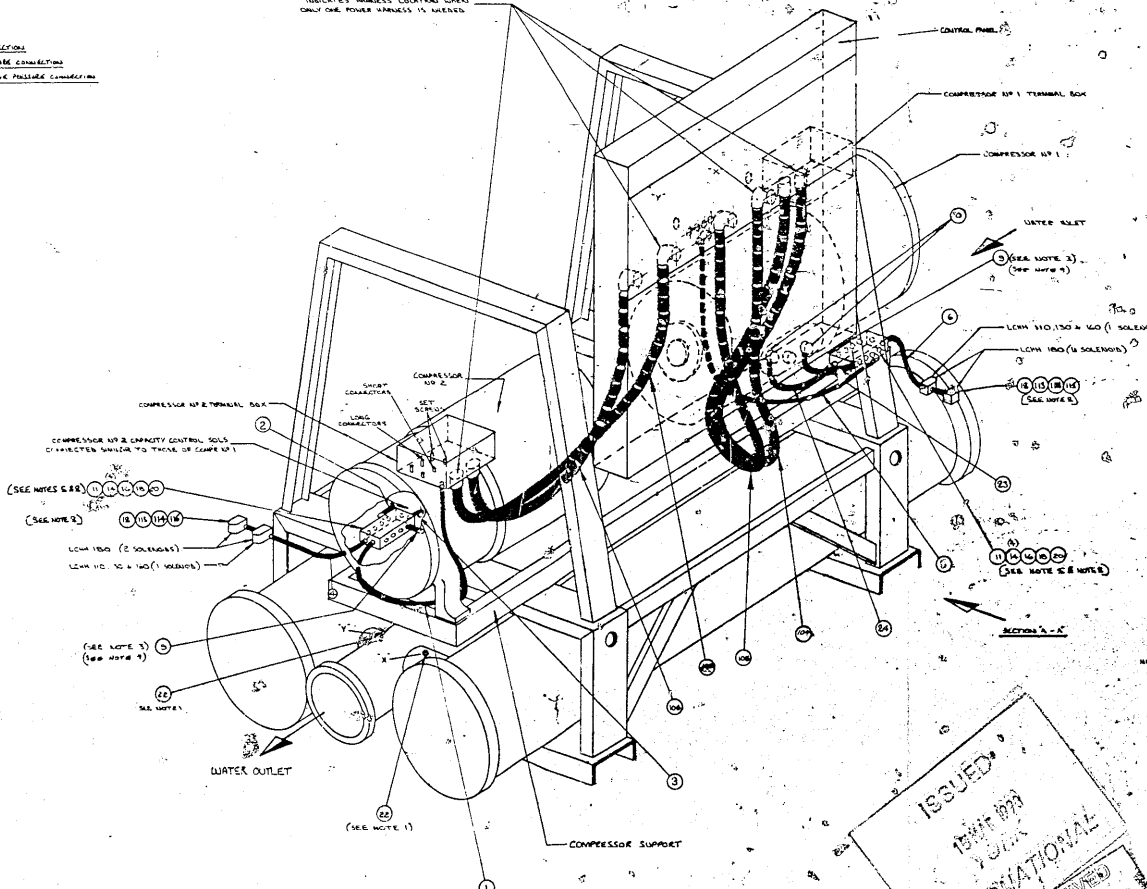
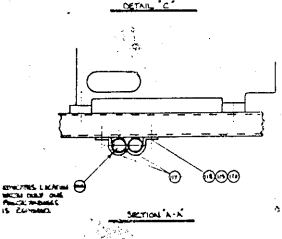
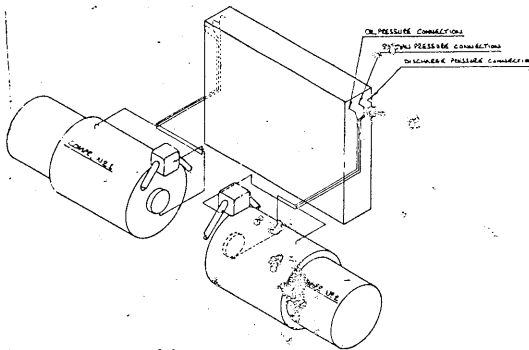


UNIT	VOLUME	LEAD 110AL			LEAD 120AL			LEAD 130AL			LEAD 140AL			LEAD 150AL		
		320	330	340	350	360	370	380	390	400	410	420	430	440	450	
...	

VOLUME'S ADDRESS LOCATION UNITS ONLY ONE POWER ADDRESS IS USED

...
...



CABLE G/A A

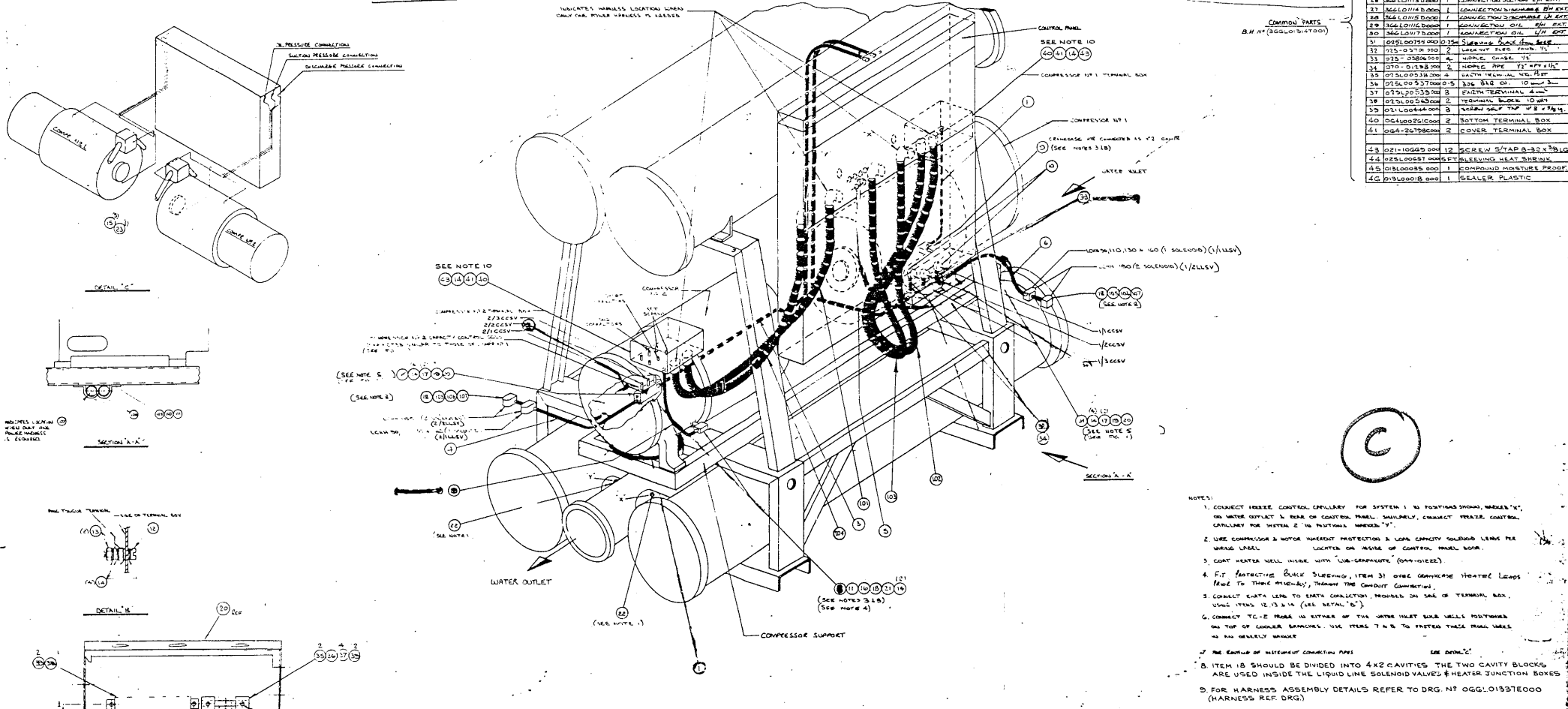
- NOTES:
- CONNECT THREE CONTROL CABLES FOR SYSTEM 1 TO PORTING BLOCK, BARRIER OR WATER OUTLET & END OF CONTROL PANEL. SIMILARLY, CONNECT THREE CONTROL CABLES FOR SYSTEM 2 TO PORTING BARRIER.
 - USE COMPRESSOR'S BATTERY PROTECTION IN LOW CAPACITY BATTERIES LEAD TO WATER INLET OR WATER OUTLET OF CONTROL PANEL.
 - COAT WATER WELLS WITH 'LOW CONDUCTIVITY' PAINT/OLEF.
 - FOR POWER UNITS, USE CONNECTIONS SEE 'DIAPHRAGM CONNECTION' AT P. 100.
 - CONNECT FORTH LEAD TO BATTERY CONNECTION THROUGH BATTERY CONNECTION TO USING UNIT. 12.13.2.4 (SEE 'DETAIL A').
 - CONNECT T.C.P. FROM TO OTHER END OF WATER INLET WIRE THROUGH PORTING ON TOP OF CONTROL BARRIER. USE TIE-BLIND TO WATER INLET WIRE FROM WATER INLET BARRIER.
 - FOR BATTERY OF WATER INLET CONTROL PANEL (FROM NOTE 5) SEE 'DETAIL B'.
 - THE P.W. TERMINAL BLOCK WHICH COMPRESSOR IS BUILT, BE CONNECTED TO 25-30 CABLES IN 1/2" CABLES. THE CABLE BLOCK IS USED THROUGH THE LEAD LINE SECTIONS. THE CABLE BLOCK IS USED THROUGH THE LEAD LINE SECTIONS. THE CABLE BLOCK IS USED THROUGH THE LEAD LINE SECTIONS.
 - FOR 'FURTHER' INFO SEE 'DETAIL A' & 'DETAIL B'.

ISSUED
15 MAR 1973
FOR
INTERNATIONAL
THE BENTLEY
MAR 1973

Poor Quality Drawing

VOLTS	120 V						220 V					
	120V 100W 50P	120V 100W 50P	120V 100W 50P	120V 100W 50P	120V 100W 50P	120V 100W 50P	220V 100W 50P	220V 100W 50P	220V 100W 50P	220V 100W 50P	220V 100W 50P	
104	366L0111E002	366L0111E002	366L0111E002	366L0111E002	366L0111E002	366L0111E002	366L0111E002	366L0111E002	366L0111E002	366L0111E002	366L0111E002	
105	366L0111E002	366L0111E002	366L0111E002	366L0111E002	366L0111E002	366L0111E002	366L0111E002	366L0111E002	366L0111E002	366L0111E002	366L0111E002	
106	366L0111E002	366L0111E002	366L0111E002	366L0111E002	366L0111E002	366L0111E002	366L0111E002	366L0111E002	366L0111E002	366L0111E002	366L0111E002	
107	366L0111E002	366L0111E002	366L0111E002	366L0111E002	366L0111E002	366L0111E002	366L0111E002	366L0111E002	366L0111E002	366L0111E002	366L0111E002	
108	366L0111E002	366L0111E002	366L0111E002	366L0111E002	366L0111E002	366L0111E002	366L0111E002	366L0111E002	366L0111E002	366L0111E002	366L0111E002	
109	366L0111E002	366L0111E002	366L0111E002	366L0111E002	366L0111E002	366L0111E002	366L0111E002	366L0111E002	366L0111E002	366L0111E002	366L0111E002	
110	366L0111E002	366L0111E002	366L0111E002	366L0111E002	366L0111E002	366L0111E002	366L0111E002	366L0111E002	366L0111E002	366L0111E002	366L0111E002	
111	366L0111E002	366L0111E002	366L0111E002	366L0111E002	366L0111E002	366L0111E002	366L0111E002	366L0111E002	366L0111E002	366L0111E002	366L0111E002	
112	366L0111E002	366L0111E002	366L0111E002	366L0111E002	366L0111E002	366L0111E002	366L0111E002	366L0111E002	366L0111E002	366L0111E002	366L0111E002	
113	366L0111E002	366L0111E002	366L0111E002	366L0111E002	366L0111E002	366L0111E002	366L0111E002	366L0111E002	366L0111E002	366L0111E002	366L0111E002	
114	366L0111E002	366L0111E002	366L0111E002	366L0111E002	366L0111E002	366L0111E002	366L0111E002	366L0111E002	366L0111E002	366L0111E002	366L0111E002	
115	366L0111E002	366L0111E002	366L0111E002	366L0111E002	366L0111E002	366L0111E002	366L0111E002	366L0111E002	366L0111E002	366L0111E002	366L0111E002	
116	366L0111E002	366L0111E002	366L0111E002	366L0111E002	366L0111E002	366L0111E002	366L0111E002	366L0111E002	366L0111E002	366L0111E002	366L0111E002	

INDICATES WIRELESS LOCATION UNLESS
OTHER WIRE WIRELESS IS SHOWN



(C)

ITEM	PART NO.	QTY	DESCRIPTION
1	366L0111E002	2	WIRELESS WIRE
2	366L0111E002	1	WIRELESS WIRE
3	366L0111E002	1	WIRELESS WIRE
4	366L0111E002	1	WIRELESS WIRE
5	366L0111E002	1	WIRELESS WIRE
6	366L0111E002	1	WIRELESS WIRE
7	366L0111E002	1	WIRELESS WIRE
8	366L0111E002	1	WIRELESS WIRE
9	366L0111E002	1	WIRELESS WIRE
10	366L0111E002	1	WIRELESS WIRE
11	366L0111E002	1	WIRELESS WIRE
12	366L0111E002	1	WIRELESS WIRE
13	366L0111E002	1	WIRELESS WIRE
14	366L0111E002	1	WIRELESS WIRE
15	366L0111E002	1	WIRELESS WIRE
16	366L0111E002	1	WIRELESS WIRE
17	366L0111E002	1	WIRELESS WIRE
18	366L0111E002	1	WIRELESS WIRE
19	366L0111E002	1	WIRELESS WIRE
20	366L0111E002	1	WIRELESS WIRE
21	366L0111E002	1	WIRELESS WIRE
22	366L0111E002	1	WIRELESS WIRE
23	366L0111E002	1	WIRELESS WIRE
24	366L0111E002	1	WIRELESS WIRE
25	366L0111E002	1	WIRELESS WIRE
26	366L0111E002	1	WIRELESS WIRE
27	366L0111E002	1	WIRELESS WIRE
28	366L0111E002	1	WIRELESS WIRE
29	366L0111E002	1	WIRELESS WIRE
30	366L0111E002	1	WIRELESS WIRE
31	366L0111E002	1	WIRELESS WIRE
32	366L0111E002	1	WIRELESS WIRE
33	366L0111E002	1	WIRELESS WIRE
34	366L0111E002	1	WIRELESS WIRE
35	366L0111E002	1	WIRELESS WIRE
36	366L0111E002	1	WIRELESS WIRE
37	366L0111E002	1	WIRELESS WIRE
38	366L0111E002	1	WIRELESS WIRE
39	366L0111E002	1	WIRELESS WIRE
40	366L0111E002	1	WIRELESS WIRE
41	366L0111E002	1	WIRELESS WIRE
42	366L0111E002	1	WIRELESS WIRE
43	366L0111E002	1	WIRELESS WIRE
44	366L0111E002	1	WIRELESS WIRE
45	366L0111E002	1	WIRELESS WIRE
46	366L0111E002	1	WIRELESS WIRE

- NOTES:
- CONNECT THESE CONTROL CABLES FOR SYSTEM 1. IN PORTIONS SHOWN, WELLS 1, 2, 3, 4, 5, 6, 7, 8, 9, 10, 11, 12, 13, 14, 15, 16, 17, 18, 19, 20, 21, 22, 23, 24, 25, 26, 27, 28, 29, 30, 31, 32, 33, 34, 35, 36, 37, 38, 39, 40, 41, 42, 43, 44, 45, 46, 47, 48, 49, 50, 51, 52, 53, 54, 55, 56, 57, 58, 59, 60, 61, 62, 63, 64, 65, 66, 67, 68, 69, 70, 71, 72, 73, 74, 75, 76, 77, 78, 79, 80, 81, 82, 83, 84, 85, 86, 87, 88, 89, 90, 91, 92, 93, 94, 95, 96, 97, 98, 99, 100.
 - USE COMPRESSOR & MOTOR INHERENT PROTECTION & LOW CAPACITY SOLENOID LEADS PER WIRING LABEL. LOCATE ON REAR OF CONTROL PANEL BOX.
 - COAT HEATER WELLS INSIDE WITH LUB-CORRODATE (06A-10122).
 - F.T. PROTECTIVE BULK SLEEVING, ITEM 31 OVER CONDUIT HEATER LEADS LEAD TO HEATER ASSEMBLY THROUGH THE CONDUIT CONNECTION.
 - CONNECT EARTH LEAD TO EARTH CONNECTION PROVIDED ON REAR OF TERMINAL BOX, USING ITEMS 12, 13 & 14 (SEE DETAIL 'B').
 - CONNECT TC-E PROBE IN EITHER OF THE WATER INLET SIDE WELLS POSITIONED ON TOP OF COOLER BARRILES. USE ITEMS 7 & 8 TO FASTEN THESE PROBE WELLS TO THE BARRILE BANDES.
 - SEE EXAMPLE OF WIRELESS CONNECTION APPS. SEE DRG. 'C'.
 - ITEM 18 SHOULD BE DIVIDED INTO 4 X 2 CAVITIES. THE TWO CAVITY BLOCKS ARE USED INSIDE THE LIQUID LINE SOLENOID VALVES & HEATER JUNCTION BOXES.
 - FOR WIRELESS ASSEMBLY DETAILS REFER TO DRG. NO. 06GLO1537E000 (HARNESSES REF. DRG.).
 - FIT SHRINK SLEEVING TO ALL SIX COMPRESSOR MOTOR TERMINALS. LENGTH TO BE ADEQUATE TO REACH FROM BASE TO BOTTOM OF TERMINAL FIXING HOLE. HEAT SHOULD BE APPLIED BY A LIGHT APPLICATION OF AN ACETYLENE TORCH AND SEALED OFF AT BASE WITH COMPOUND MOISTURE PROOFING TORCH AND SPRAY WITH CORROSION PREVENTATIVE ITEMS 44, 45 & 46.

RECEIVED
20 MAR 1950
PACK & SHIP INSTRUCTIONS

REV.	REVISION	DATE	BY	CHKD.	ECN.	REV.	REVISION	DATE	BY	CHKD.	ECN.
1	ISSUED	10/1/49	1	ISSUED	10/1/49
2	2
3	3
4	4
5	5
6	6
7	7
8	8
9	9
10	10

